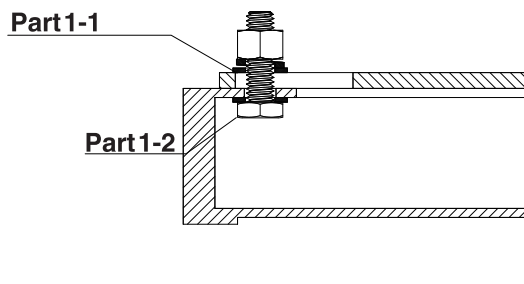
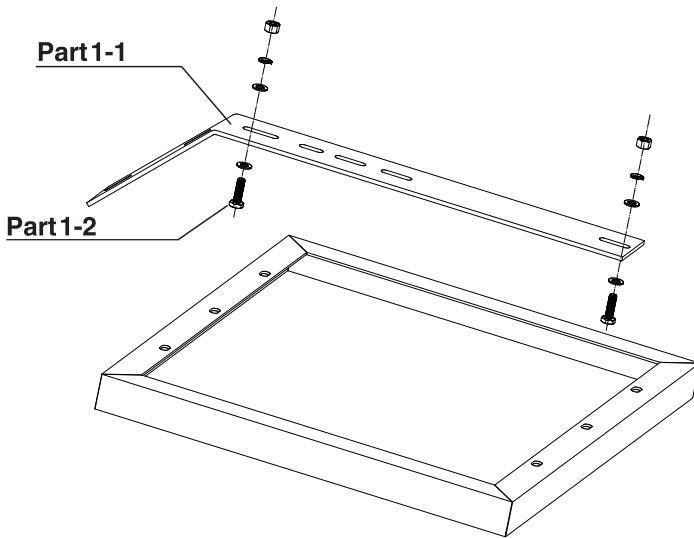
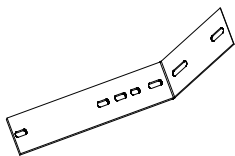


The Solarland® SLB-0121 mounting kit has been specifically design for use with the Solarland® SLP Series 3W – 20W panels. This mount is a fixed.

Components And Parts

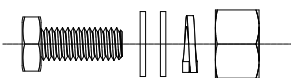


Part



Part 1-1

Component	Fixed Bracket
Material	1/8" Galvanized Steel
Quantity	1



Part 1-2

Component	Module Bolt (M6)
Material	AISI304
Quantity	2

Step1.

Attach the PV module to the mounting bracket using the bolts, washers and lock washers provided. We suggest you lubricate all nuts and bolts to facilitate easy removal at a later date.

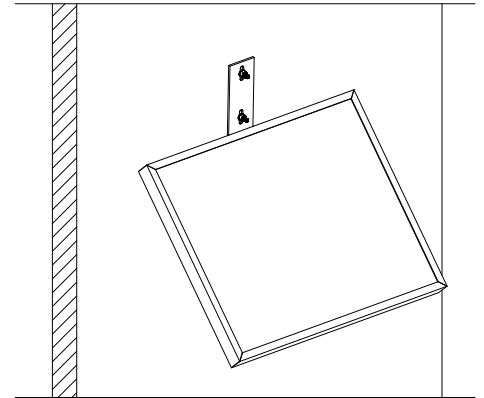


figure 1

Step2.

For vertical wall mounting, drill holes on the mounting place to be installed according to size of the fixed bracket. Embed two molly bolts into the mounting surface. See figure 1. Use washers and nuts to secure the PV module and mount assembly to the wall.